

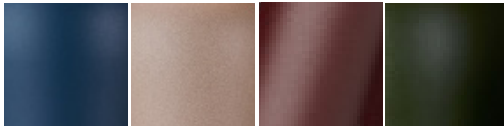


# PENSILE

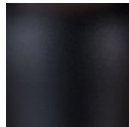
Pensile is a modern, Swedish made design lighting that gives a comfortable impression and fits just as well in public spaces as in your private favorite room. The base is built out of bent pipes lacquered in timeless colors which is combined with a textile shade, either in matching or deviating colors. The shade's textile material also has desirable properties such as flame retardant and also sound absorbing properties, which provides an extra security in your product selection.

Design: Joakim Fihn

## Fitting 5709

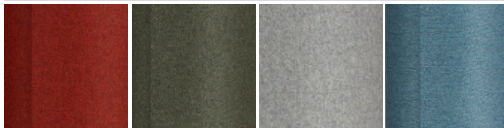


**20013** Azurite  
**20213** Sand  
**27713** Dark red  
**28213** Bottle green



**8613**  
**Black**  
**structure**

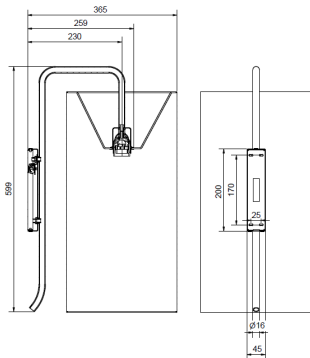
## Wool shade 9479



**740** Rust  
**741** Green  
**742** Gray  
**743** Blue



**745**  
**White**



Item no.	Fitting 5709, Wool shade 9479
Category	Wall lamp
Material	Metal, textile
Dimmable function	Yes
Mounting	Fixed installation on wall
Voltage	230V
Socket	E27
Wattage max	20W
Classification	⊕
IP Class	IP20
Width incl. shade mm	270
Height incl. shade mm	599
Depth incl. shade mm	365
Height shade mm	540
Ø shade mm	270
Light source included	No
Recommended light source	872209, E27 DIM 8W



# BELID